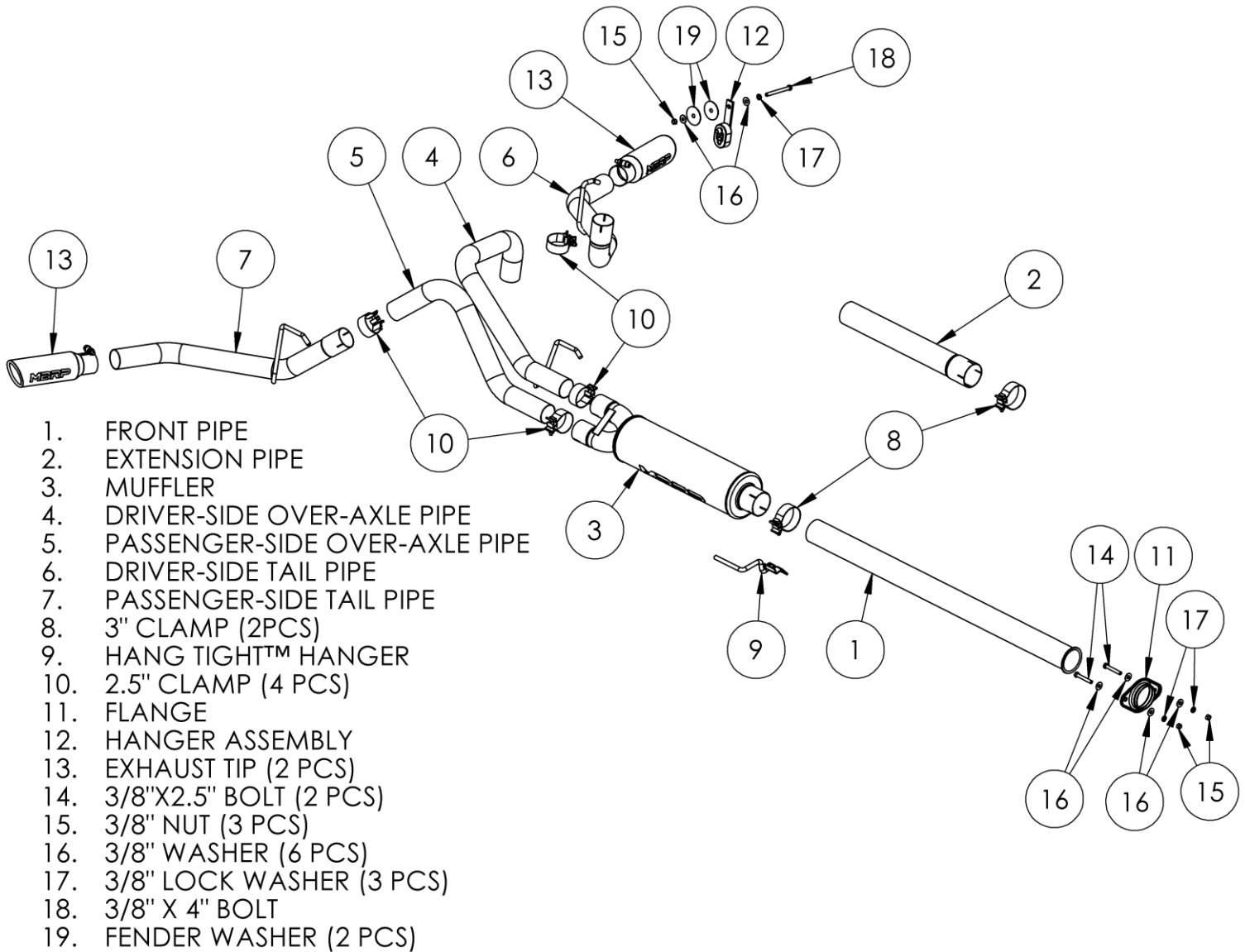


S5254

2015-2020 FORD F150, 2.7L/3.5L ECOBOOST V6 ,
EXCLUDES 2019 F150 LIMITED 3.5L ECOBOOST
HIGH OUTPUT
DUAL SIDE EXIT

MBRP®



PLEASE READ BEFORE STARTING INSTALLATION

While MBRP has made every effort to ensure that all components of this system are of superior quality and properly packaged, it is the installer's responsibility to ensure the following before removal of the factory exhaust:

- that ALL components shown above are present.
- that ALL mating components fit together.
- that there are no damaged components.
- that the system you have purchased is appropriate for your vehicle year, model and configuration.
- that the system will not interfere with any modifications previously installed or planned.
- that you have read and understand these instructions.

If you have any questions or are uncertain about any aspect of the installation of this system to your vehicle please contact your dealer before commencing installation.

MBRP

Removal of Stock System:



Figure 1

1. Apply a penetrating lubricant liberally to all hangers and rubber isolators.
2. Loosen the factory clamp in front of the muffler.
3. Loosen the factory extension pipe flange bolts.

Refer to Figure 1.

4. Rotate the factory extension pipe to release the factory muffler inlet locking boss.

Refer to Figure 2.

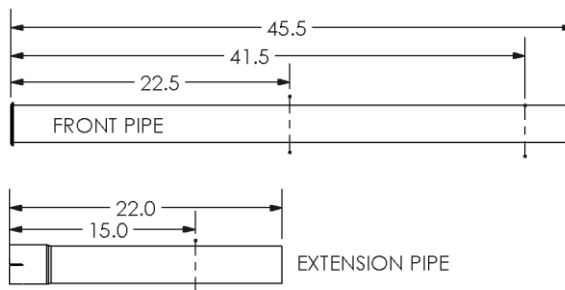
5. Remove the factory muffler assembly from the hangers and remove from the vehicle

6. Remove the factory extension pipe bolts and remove the factory extension pipe from the vehicle.

Installation of MBRP Performance Exhaust:

1. Determine the overall length of the **Front Pipe** and **Extension Pipe** (if required).

Refer to figure 3.



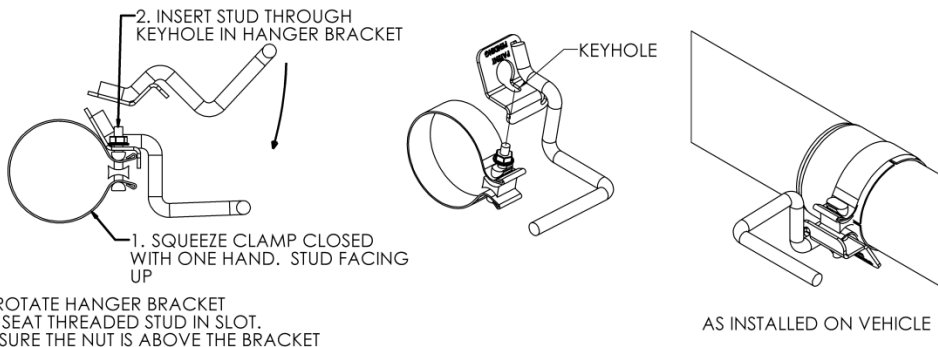
WHEELBASE	FRONT PIPE LENGTH	EXTENSION PIPE LENGTH
122" RC 6.5' BOX	22.5	NONE
141" RC 8' BOX	41.5	NONE
145" EC 6.5' BOX/ SC 5.5' BOX	45.5 (NO CUT)	NONE
157" SC 6.5' BOX	45.5 (NO CUT)	15"
164" EC 8' BOX	45.5 (NO CUT)	22" (NO CUT)

Figure 3.

2. Slide the **Flange** onto the **Front Pipe** and loosely install the **Front Pipe** using the supplied **Hardware**.

Refer to Figure 4.

3. Install the **Hang Tight™ Hanger** onto a **3.0" Band Clamp** using the procedure shown below. (Hang Tight™ Hanger not exactly as shown)



3. ROTATE HANGER BRACKET TO SEAT THREADED STUD IN SLOT. BE SURE THE NUT IS ABOVE THE BRACKET

AS INSTALLED ON VEHICLE

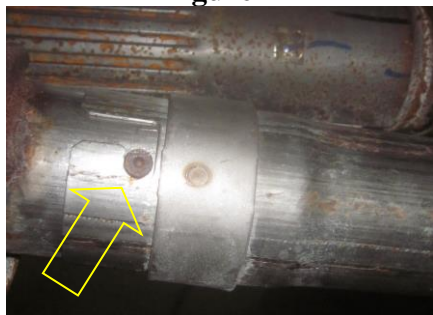


Figure 2



Figure 4



Figure 5



Figure 6

MBRP



Figure 7

4. Install the **Hang Tight™ Hanger Clamp Assembly** into the second factory isolator.

Refer to Figure 5.

5. Place the **Front Pipe** or **Extension Pipe** (if required) into the **Hang Tight™ Hanger Clamp Assembly**.

Refer to Figure 6.



Figure 8

6. Install the **Muffler** onto the **Extension Pipe** and lightly secure with the **Hang Tight™ Hanger Clamp Assembly**. **Muffler** outlets will be at a 45° angle viewed from the rear, with the passenger-side outlet at the bottom.

Refer to Figure 7.

7. Place a **2.5" Clamp** over each **Muffler** outlet and insert the **Driver-Side Over-Axle Pipe** into the left upper **Muffler** outlet and factory isolator.

Refer to Figure 8.



Figure 9

8. Install the **Passenger-Side Over-Axle Pipe** into the lower right **Muffler** outlet. Snug but do not completely tighten the **2.5" Clamp**.

Refer to Figure 9.

9. Install the **Passenger-Side Tail Pipe** onto the **Passenger-Side Over-Axle Pipe** and into the factory isolator.

Refer to Figure 10.

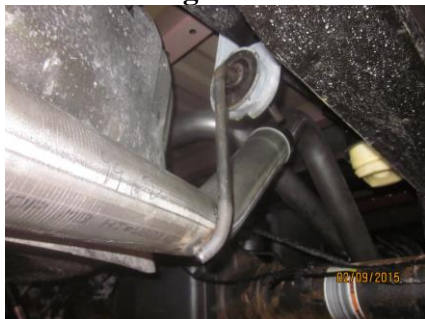


Figure 10

10. Install the **Hanger Assembly** using the supplied **Hardware** through the lower of the pair of large holes in the driver-side frame. Tighten the hardware enough to support the pipe but leave the final tightening until the final step. The **Hanger Assembly** attachment allows for some height adjustment to align the **Tail Pipes**.

Refer to Figures 11 and 12.

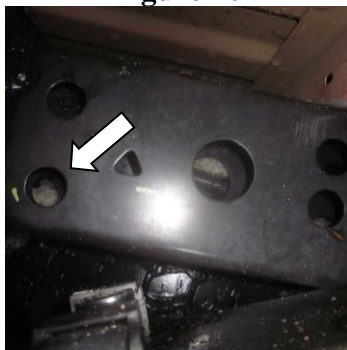


Figure 11

MBRP



Figure 12



Figure 13



Figure 14



Figure 15

11. Install the **Driver-Side Tail Pipe** into the **Hanger** Assembly and onto the **Driver-Side Over-Axle Pipe** using a **2.5" Clamp**. Refer to **Figure 13**.

12. Install the **Exhaust Tips** and adjust to your liking. Refer to **Figure 14 and 15**.

13. Tighten all hardware and clamps, starting at the front and working rearward to secure the system. Check along the full length of the exhaust system to ensure there is adequate clearance for fuel lines, vent lines, brake lines, frame, bodywork, suspension, and any wiring, etc. If there is any interference detected, relocate, or adjust to provide adequate clearance. Ensure all clamp connections are secure and components are unable to rotate or slide. Band clamps require approximately 45 lb-ft (60 N-m) of torque. Verify clearances, system security and band clamp torque after 30-60 miles (50-100 km) of driving.



Congratulations! You are ready to begin experiencing the improved power, sound and driving experience of your **MBRP** performance exhaust system. We know you will enjoy your purchase.